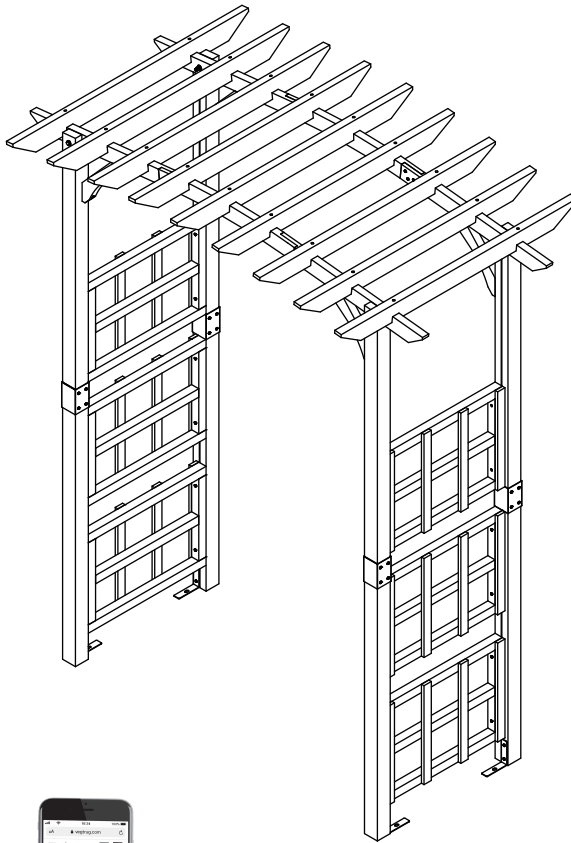
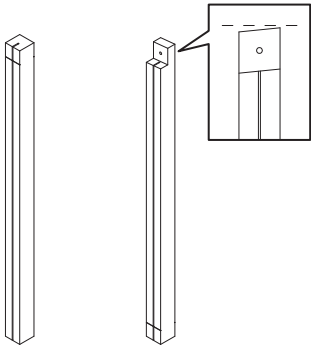
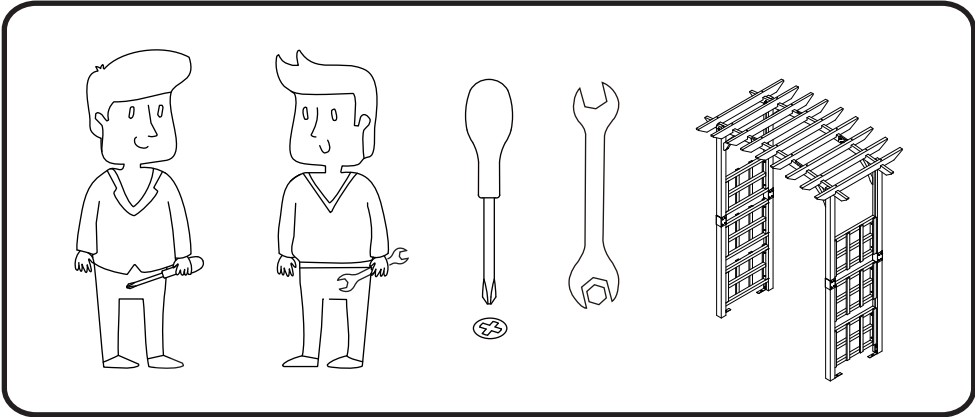


Ardleigh Arch



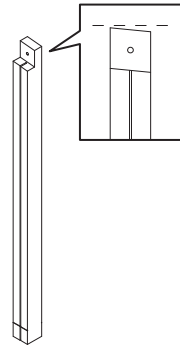
Visit www.vegtrug.com to see what you can grow

VegTrug[®]
See what you can grow

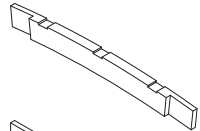


A x 4

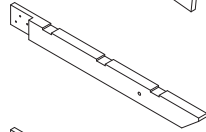
B x 2



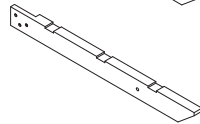
C x 2



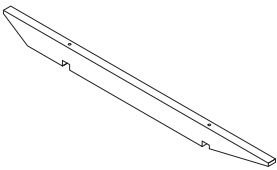
D x 2



E x 2



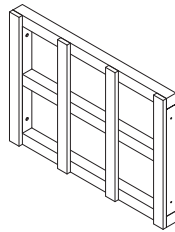
F x 2



G x 9



H x 4



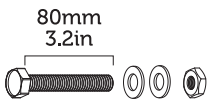
I x 6



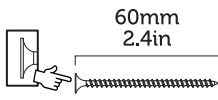
J x 4



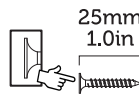
K x 4



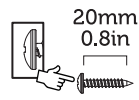
L x 4



M x 50(+2)

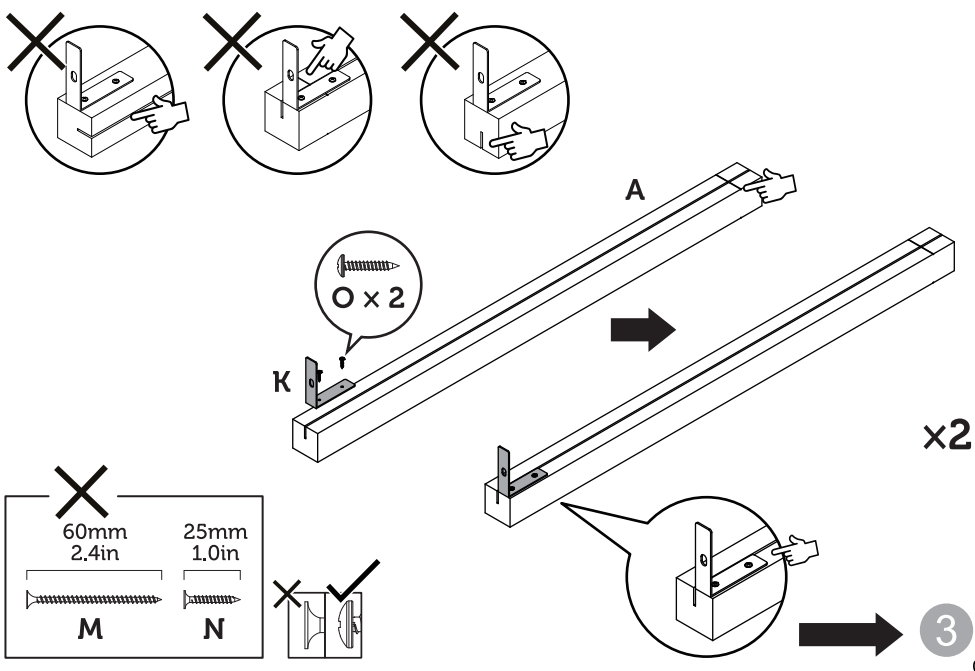
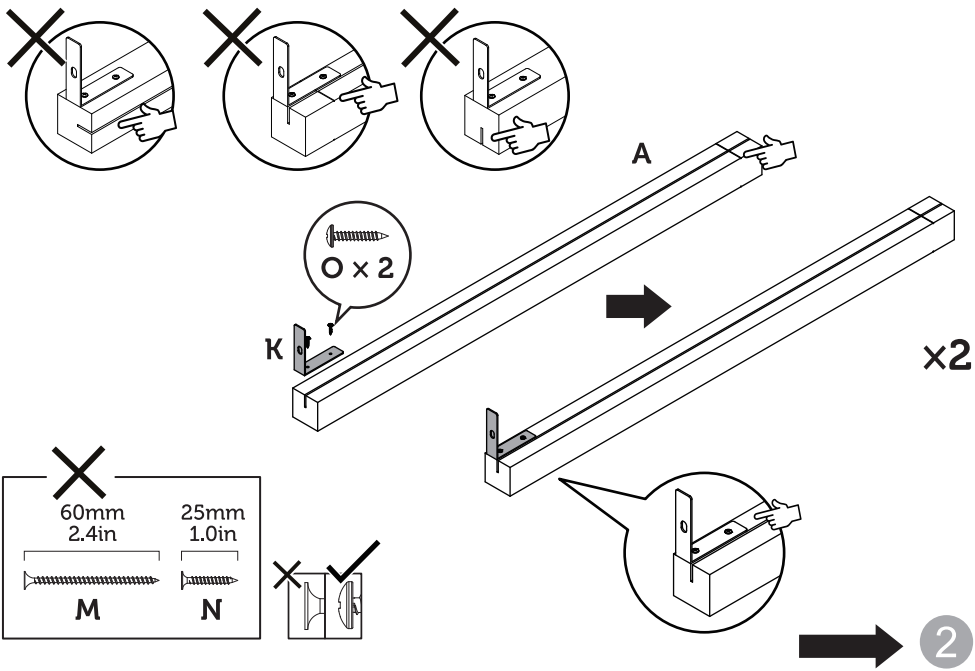


N x 12(+1)

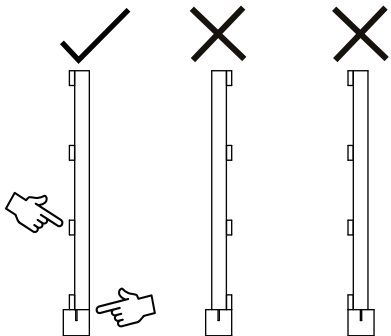
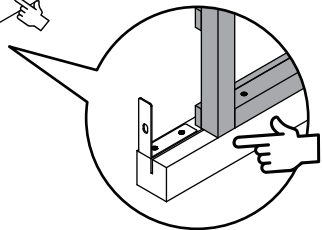
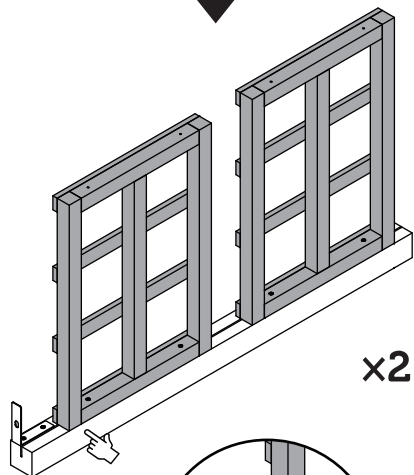
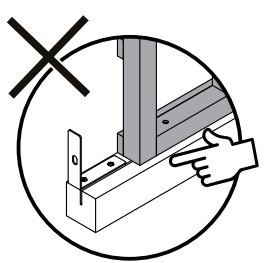
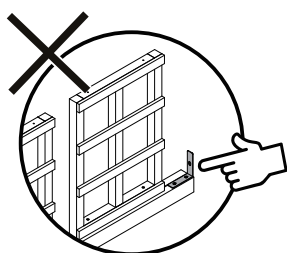
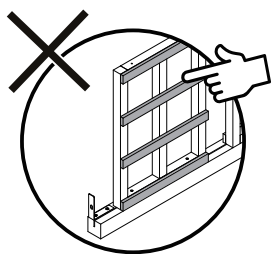
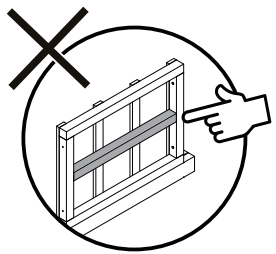
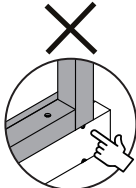
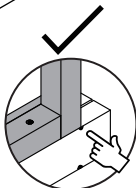
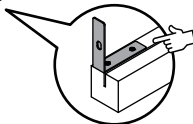
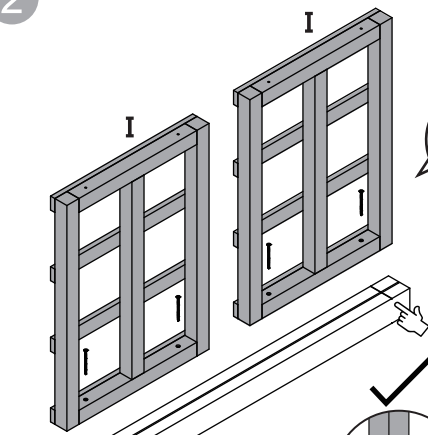


O x 40(+2)

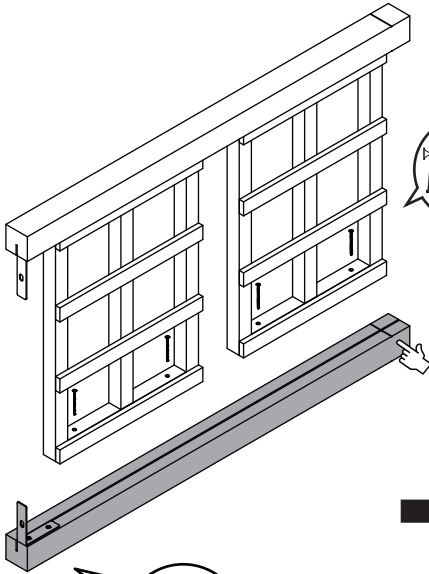
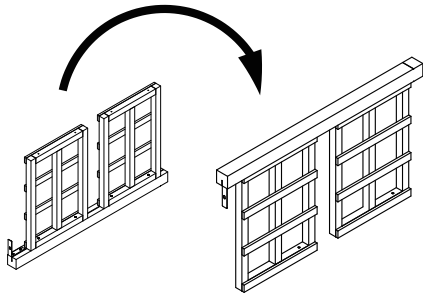
1



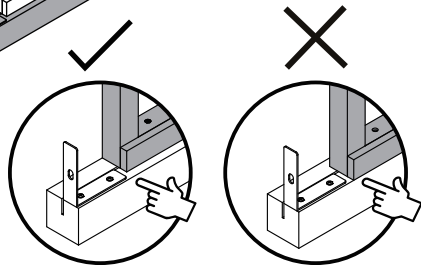
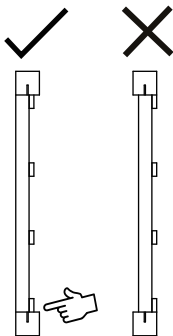
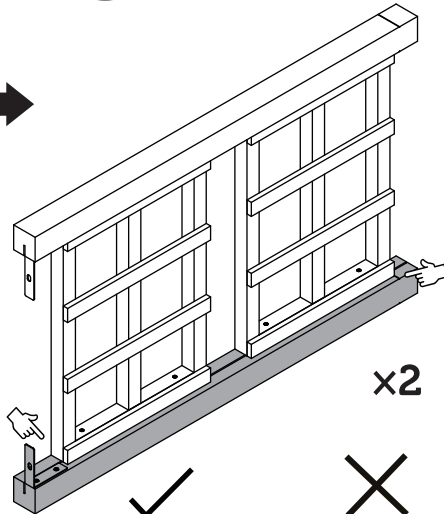
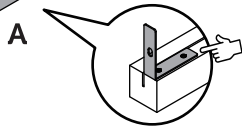
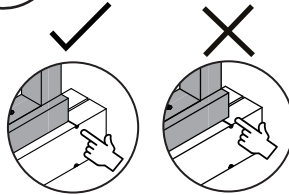
2



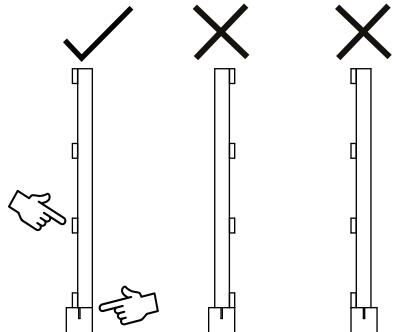
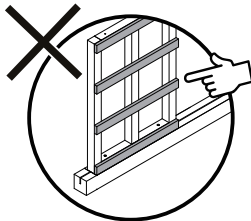
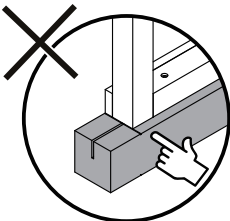
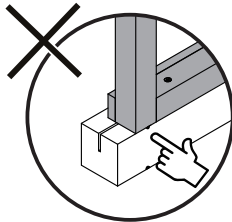
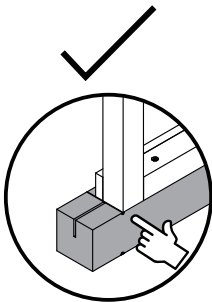
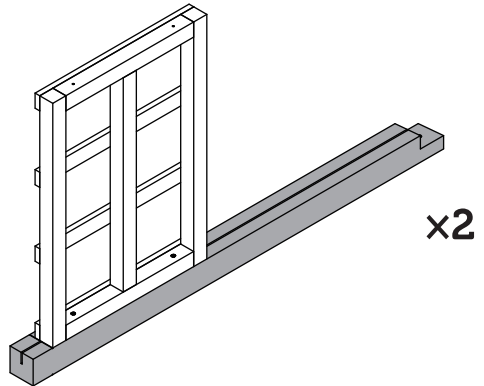
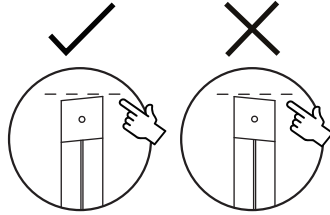
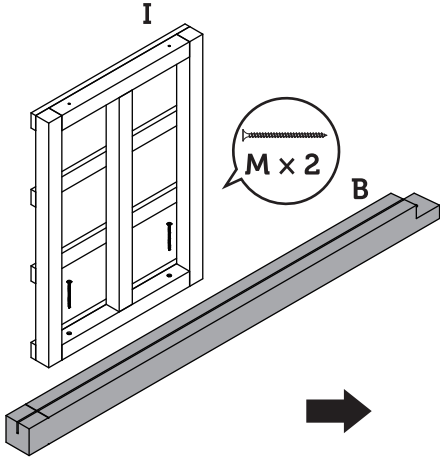
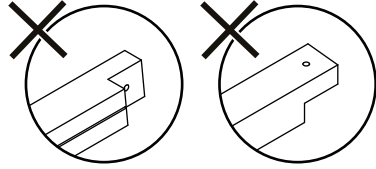
3



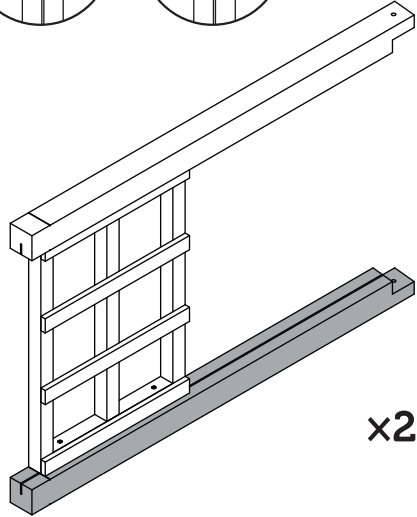
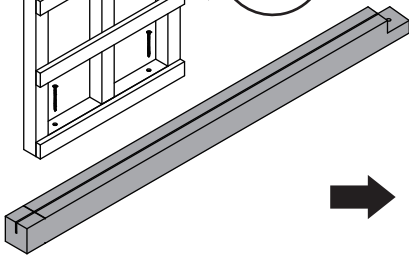
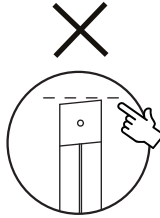
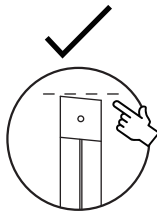
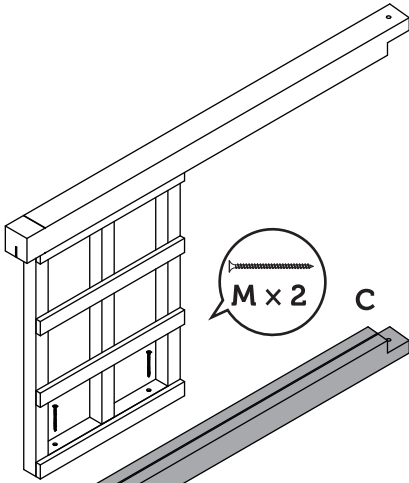
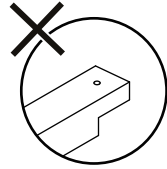
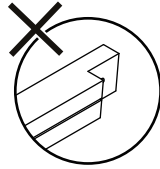
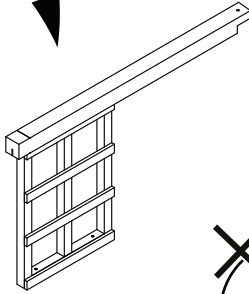
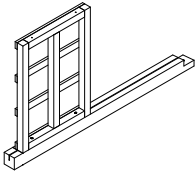
M x 4



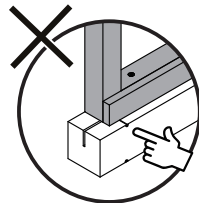
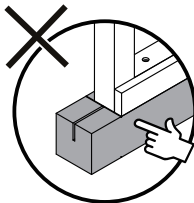
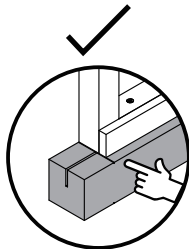
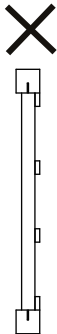
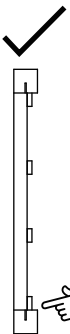
4



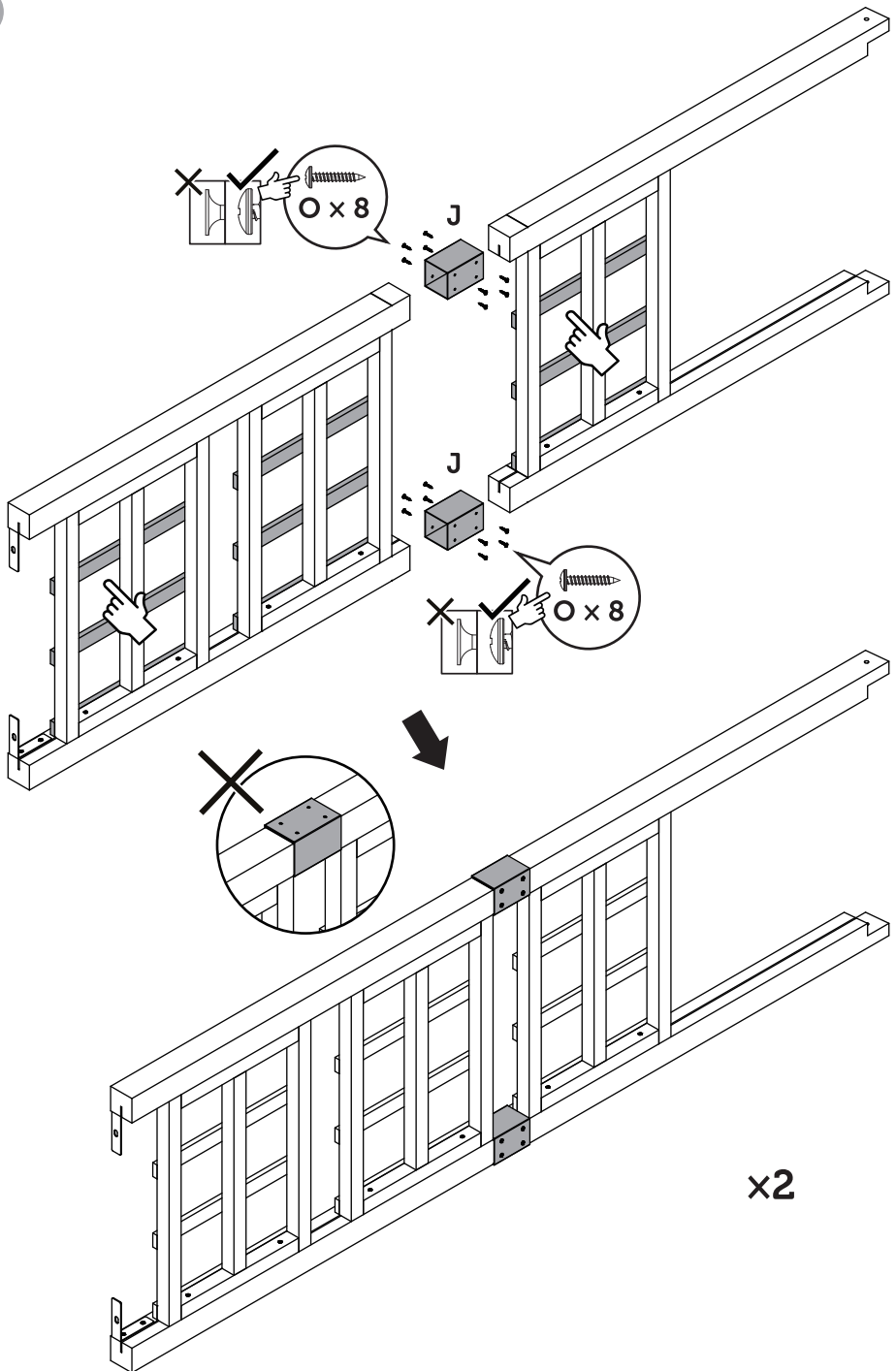
5



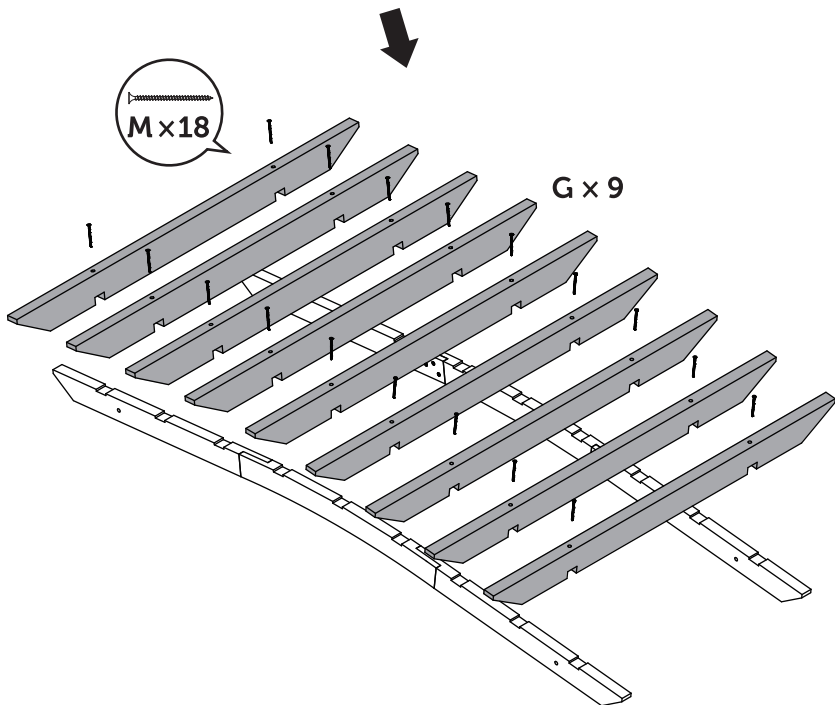
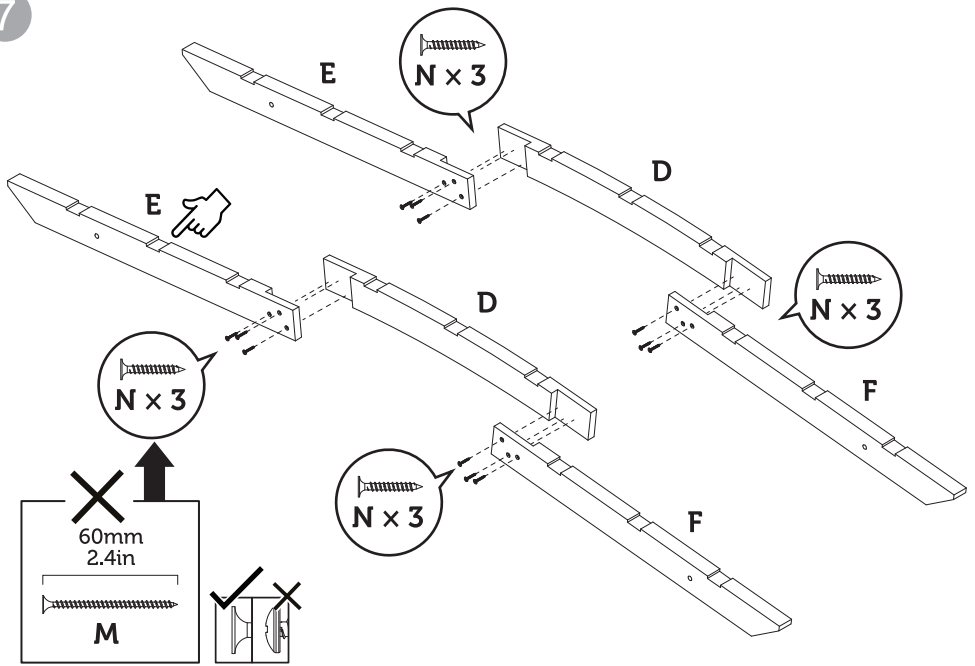
x2



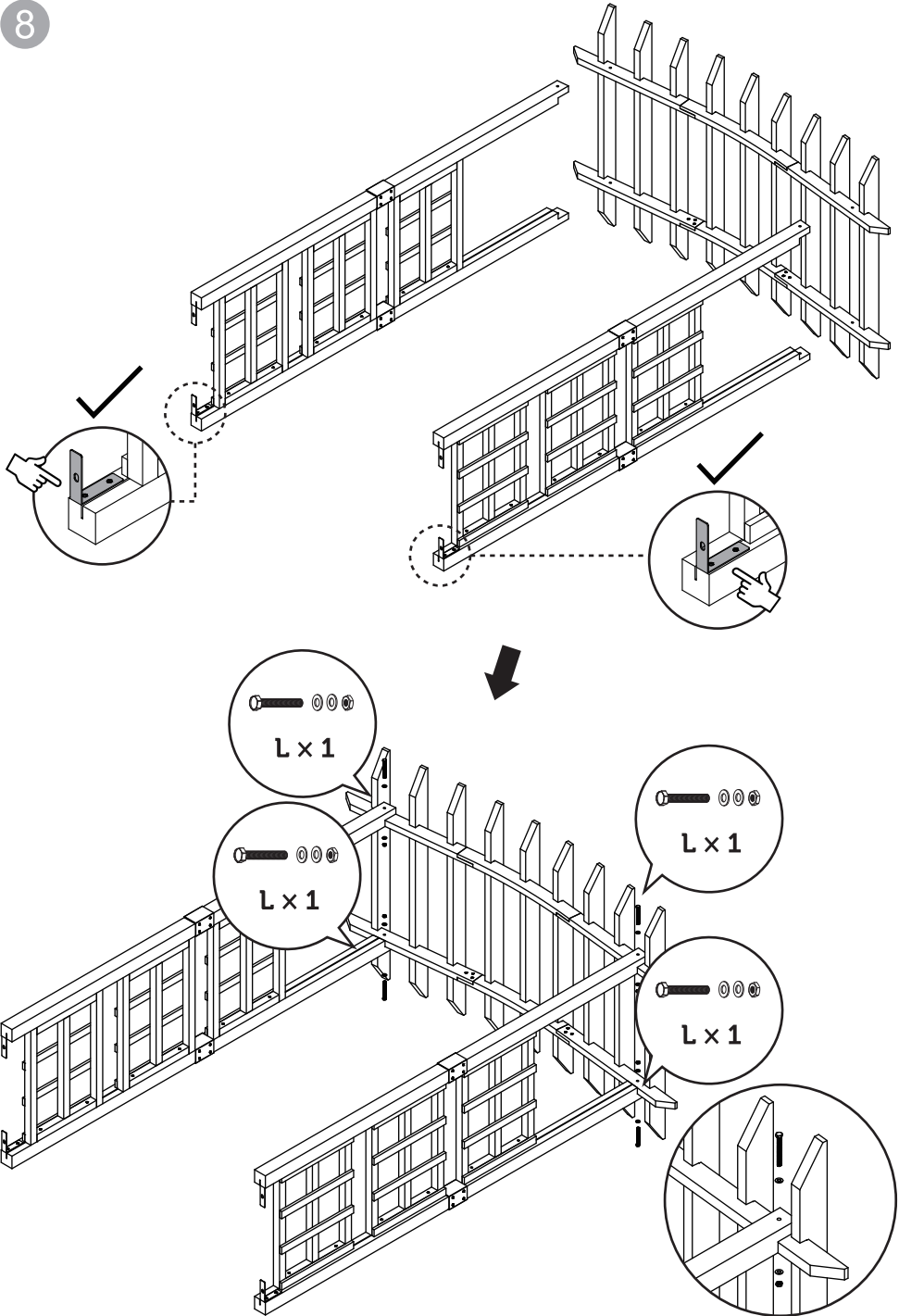
6



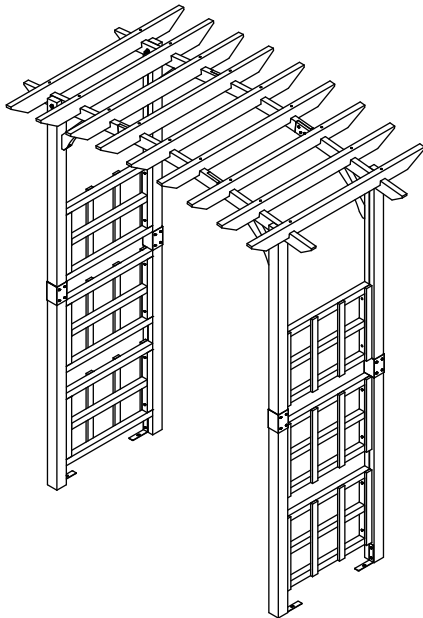
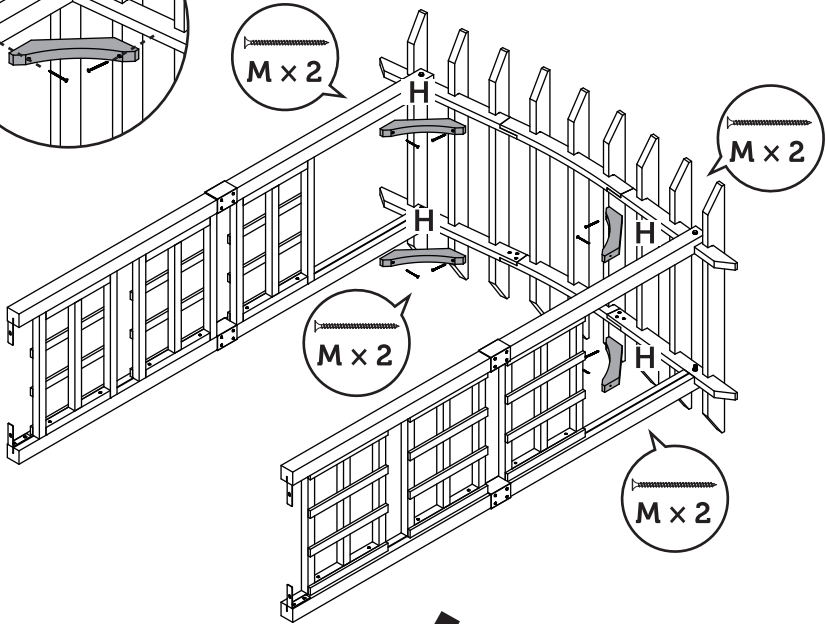
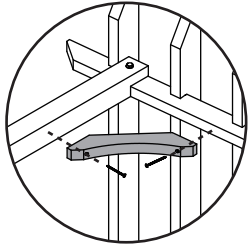
7



8

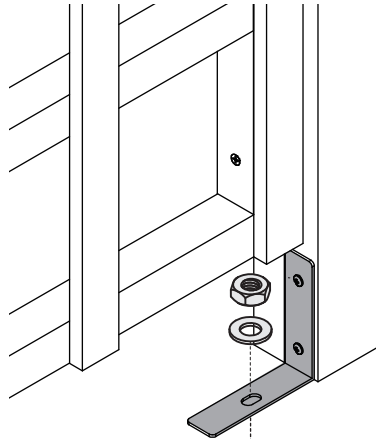
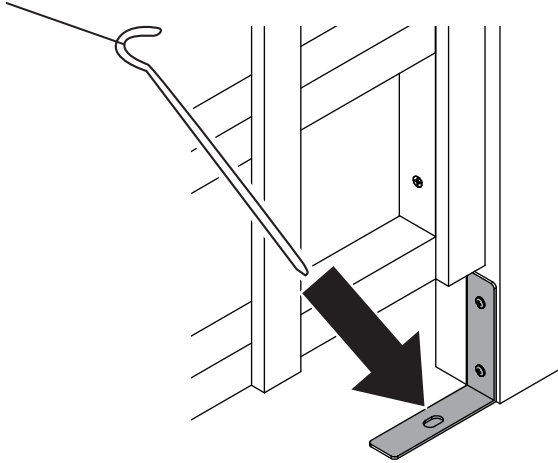


9



Fixed method example:

Not included



Not included

