

TK09663 - Plant Stand - 4 Shelf Narrow - Assembly Instructions



Thank you for buying this product.
Please read the instructions thoroughly before usage for safety.
Please keep these instructions in a safe place for later referral if required.

How to Assemble

1. Assembling Method

- Please ensure the plant stand is sitting on a flat surface.
- Please use the supplied hexagonal "Allens Key" (Part G) for tightening the bolts.

1. Attach the end leg plugs (Part E).

Please ensure the adjustable threaded end plugs are attached to the bottom of each leg as shown in the illustration.

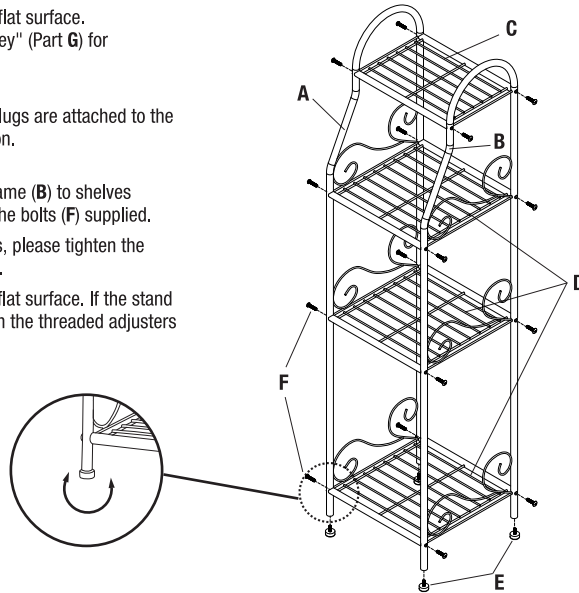
2. Assemble the Body

1. Loosely connect Left Frame (A) and Right Frame (B) to shelves (Parts C & D) as shown in the diagram with the bolts (F) supplied.

2. When you have finalised assembling all parts, please tighten the bolts (F) firmly by hand. (Do not over tighten).

3. Please ensure the plant stand is sitting on a flat surface. If the stand is a little wobbly, you can adjust the legs with the threaded adjusters (already attached to the base of the legs).

Parts	Pcs
A. Frame (Left)	1
B. Frame (Right)	1
C. Shelf (Small)	1
D. Shelf (Large)	3
E. Adjustable End Leg Plug	4
F. Bolt	16
G. Hexagonal Wrench	1



Information, Cleaning and Maintenance

- This product is for normal household use, not for commercial usage.
- Due to the nature of materials used, this product cannot avoid rusting over time.
- When required, sand back & re-coat metal surfaces with a suitable rust inhibiting paint.
- Rusting may also appear from scratched or welded areas - touch up with paint as necessary.
- This product is hand made, please expect some slight variation in construction and colour.
- For regular maintenance, please use a soft cloth to wipe/clean this product.
- A weak solution of detergent & water can be used.
- We recommend regular maintenance checks for long life usage.
- Please check the bolts every 2-3 months in case they loosen over time.

Product No.	Material	Size	Weight
TK09663	Powder Coated Steel	(W) 31.5 x (D) 31.5 x (H) 134cm	4.2kg

Made in China for Takasho Australasia Pty Ltd

www.takasho.com.au

⚠ Cautions for Usage

- Please assemble this product according to the instruction manual.
- Please supervise children around this product.
- Not to be used or modified in any way other than intended.
- Please assemble and use this product on a flat, stable, even surface.
- Do not use in areas of strong winds without stable anchoring.
- Please do not use near fire or in high temperatures.
- Take care not to get fingers caught in the gaps of this product.
- Please do not drag your product when changing locations as it may scratch on your decking, paving or floor.
- Using the Allens Key Supplied, please ensure that the bolts are properly tightened by hand (not over tightened).
- Do not overload shelves. Our suggestion is no more that 8kg per shelf. *This statement is not a guarantee, just our suggestion.