

TK03906 - Plant Stand - 2 Shelf - Assembly Instructions

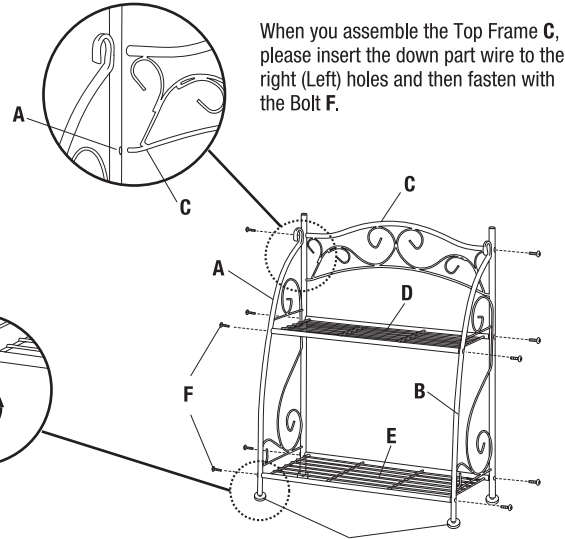


Thank you for buying this product.
Please read the instructions thoroughly before usage for safety.
Please keep these instructions in a safe place for later referral if required.

How to Assemble

Assemble the Body

- Loosely connect Left Frame (A) and Right Frame (B) to Top Frame (C), Small shelf (D) and Large shelf (E) as shown in the diagram with the bolts (F) supplied.
- When you have finalised assembling all parts, please tighten the bolts (F) firmly by hand. (do not over tighten).
- Please ensure the plant stand is sitting on a flat surface. If the stand is a little wobbly, you can adjust the legs with the threaded adjusters (already attached to the base of the legs).



Parts	Pcs
A. Frame (Left)	1
B. Frame (Right)	1
C. Top Frame	1
D. Shelf (Top)	1
E. Shelf (Bottom)	1
F. Bolt	10
G. Hexagonal Wrench	1

Information, Cleaning and Maintenance

- This product is for normal household use, not for commercial usage.
- Due to the nature of materials used, this product cannot avoid rusting over time.
- When required, sand back & re-coat metal surfaces with a suitable rust inhibiting paint.
- Rusting may also appear from scratched or welded areas - touch up with paint as necessary.
- This product is hand made, please expect some slight variation in construction and colour.
- For regular maintenance, please use a soft cloth to wipe/clean this product.
- A weak solution of detergent & water can be used.
- We recommend regular maintenance checks for long life usage.
- Please check the bolts every 2-3 months in case they loosen over time.

Product No.	Material	Size	Weight
TK03906	Powder Coated Steel	(W) 56.5 x (D) 26 x (H) 73cm	2.4kg

Made in China for Takasho Australasia Pty Ltd

www.takasho.com.au

! Cautions for Usage

- Please assemble this product according to the instruction manual.
- Please supervise children around this product.
- Not to be used or modified in any way other than intended.
- Please assemble and use this product on a flat, stable, even surface.
- Do not use in areas of strong winds without stable anchoring.
- Please do not use near fire or in high temperatures.
- Take care not to get fingers caught in the gaps of this product.
- Please do not drag your product when changing locations as it may scratch on your decking, paving or floor.
- Using the Allens Key Supplied, please ensure that the bolts are properly tightened by hand (not over tightened).
- Do not overload shelves. Our suggestion is no more that 8kg per shelf. *This statement is not a guarantee, just our suggestion.